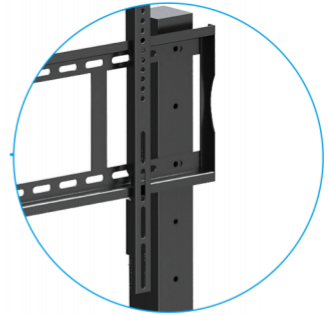
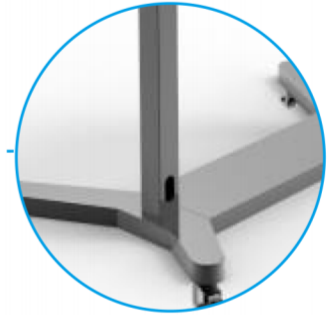


StarBoard®



Height Adjustable Design



Hidden Cable Routing System

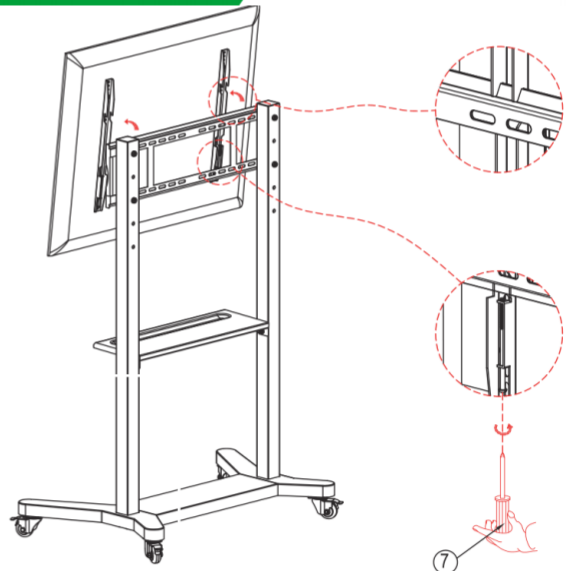
IBD3110

IFPD Mobile Stand

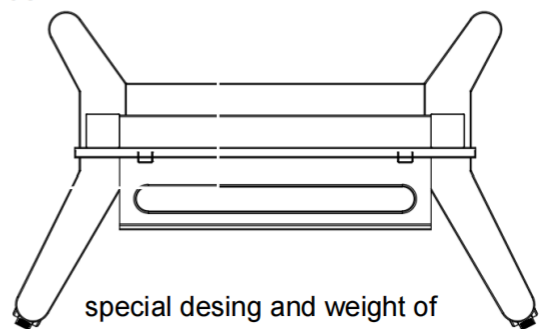
Parameters

Applicable Size	42"-86"
Min. VESA Holes	100x100mm
Max. VESA Holes	800x500mm
Max. Bearing Weight	80kg (196LBS)
Color	<input checked="" type="checkbox"/> Black

Other Features



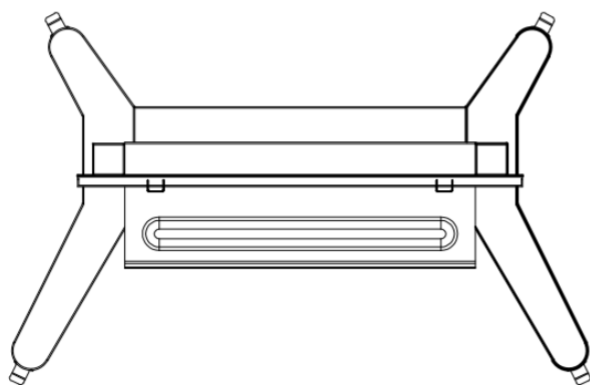
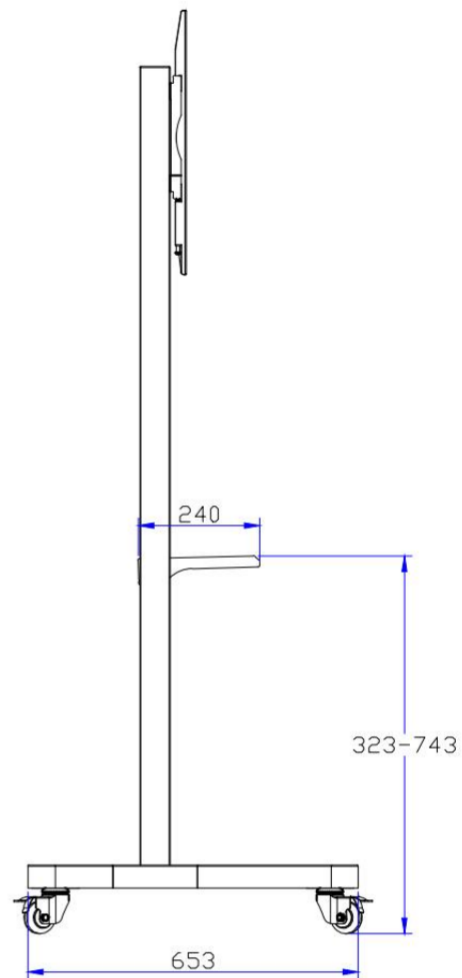
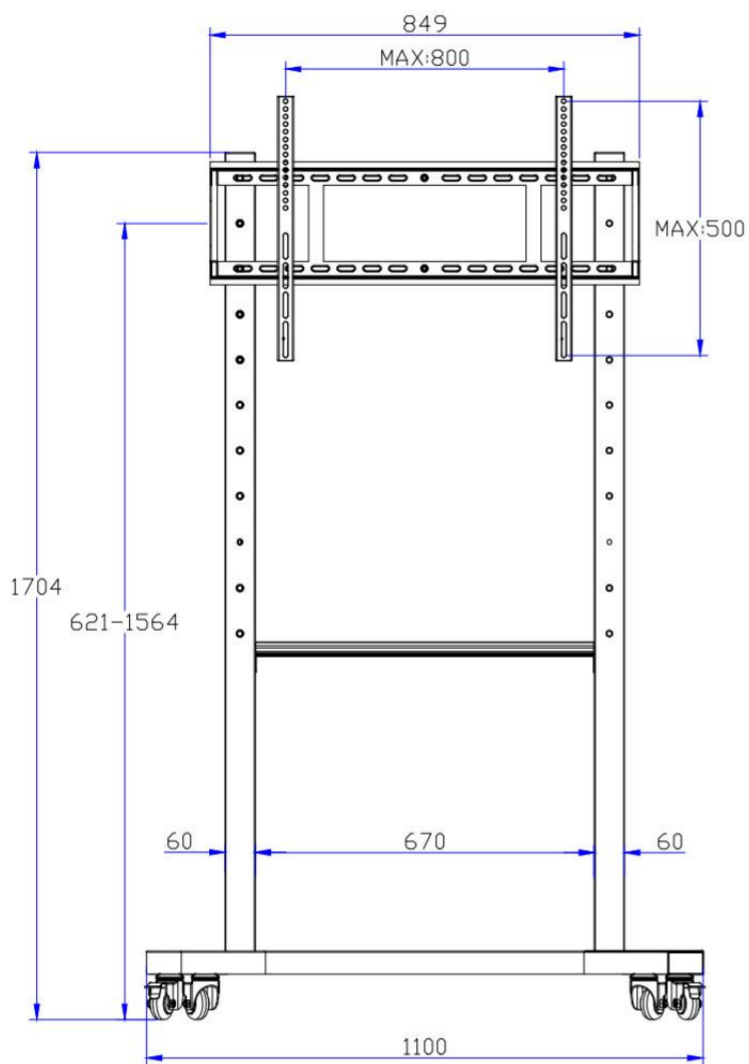
Security hook and screw to lock IFPD from falling down



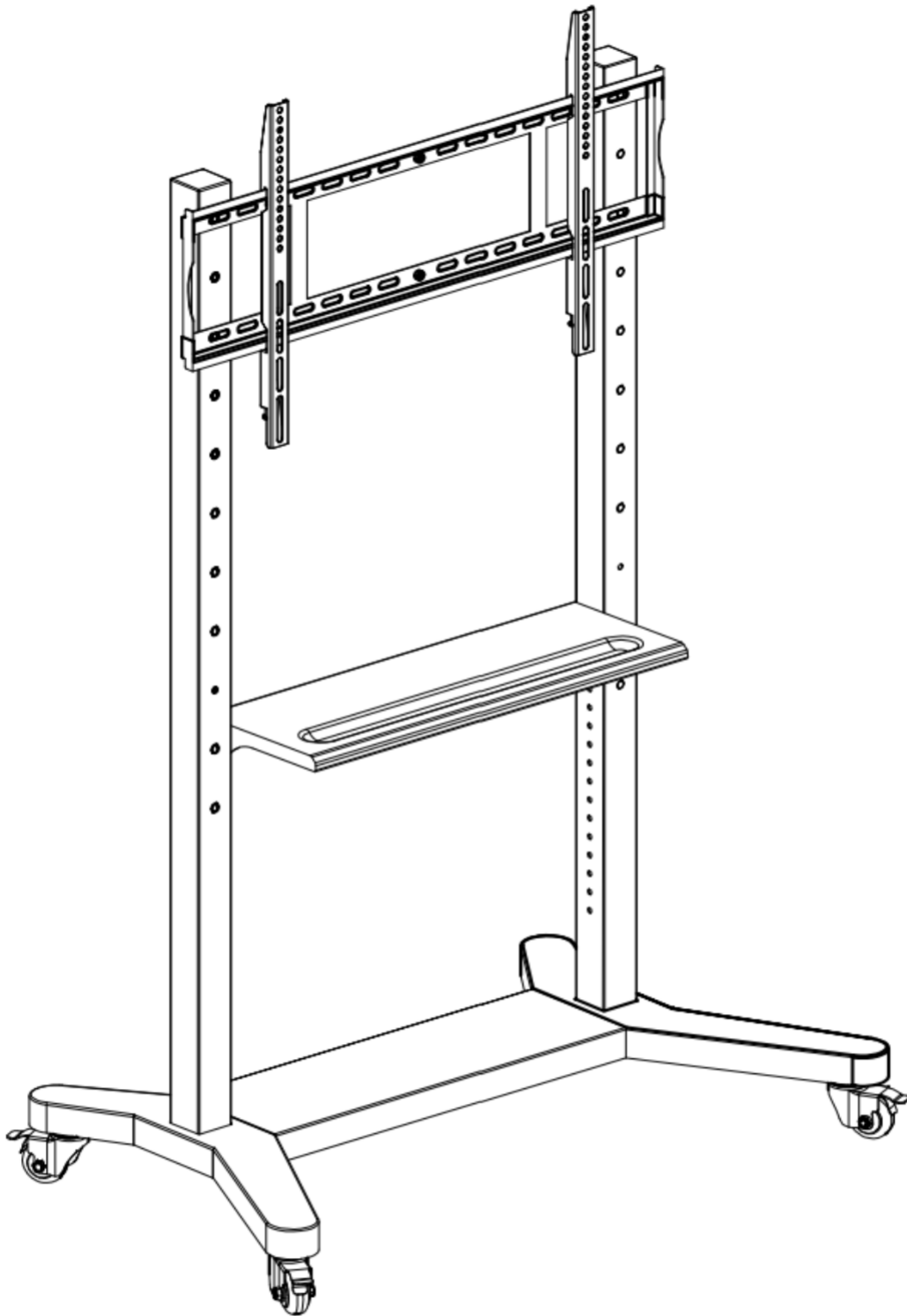
special desing and weight of the base to avoid tipping over



Dimension Drawing:



Overview Drawing:



IBD3110